

Please note that the data given here has been taken from the online catalog. For comprehensive information and data, please refer to the user documentation at <http://www.download.phoenixcontact.com>. The General Terms and Conditions of Use apply to Internet downloads.

► Extract from the online catalog



Fiber optic converter, for converting 10Base-T to multimode glass fiber, (850 nm), B-FOC (ST[®]) FO connection, supply 24 V DC

| | |
|--------------------------|---|
| Order No. | 2744788 |
| Ord designation | FL MC 10BASE-T/FO G850 |
| Additional information | This item is no longer available. Should you have any questions, please contact our Sales Team. |
| EAN | 4017918819460 |
| Pack | 1 Pcs. |
| Customs tariff | 85176200 |
| Weight/Piece | 0.15 KG |
| Catalog page information | Page 395 (IF-2005) |

► Technical data

Serial interface

| | |
|--------------------------|---------------------------------|
| Interface 1 | Ethernet interface, 10BASE-T |
| Data rate | 10 MBit/s |
| Type of connection | RJ45 female connector, shielded |
| Signal LEDs | Activity, link status |
| Serial transmission rate | 10 Mbps |

Optical interface FO

| | |
|---|--|
| Transmit capacity, minimum | Min. -22 dBm ((50/125 μ m) dynamic in link mode (average)) |
| Transmit capacity, minimum | Min. -18.2 dBm ((62,5/125 μ m) dynamic in link mode (average)) |
| Transmit capacity, minimum | Min. -19 dBm ((50/125 μ m) static) |
| Transmit capacity, minimum | Min. -15.2 dBm ((62,5/125 μ m) static) |
| Transmit capacity, maximum | Max. -15.8 dBm ((50/125 μ m) dynamic in link mode (average)) |
| Transmit capacity, maximum | Max. -12 dBm ((62,5/125 μ m) dynamic in link mode (average)) |
| Transmit capacity, maximum | Max. -12.8 dBm ((50/125 μ m) static) |
| Transmit capacity, maximum | Max. -9 dBm ((62,5/125 μ m) static) |
| Minimum receiver sensitivity | Min. -32.50 dBm (dynamic in link mode (average)) |
| Minimum receiver sensitivity | Min. -29.50 dBm (static) |
| Wave length | 850 nm |
| Transmission length incl. 3 dB system reserve | Min. 3000 m (with F-G 50/125 2.5 dB/km) |
| Transmission length incl. 3 dB system reserve | Min. 3800 m (with F-G 62,5/125 3.0 dB/km) |
| Transmission length incl. 3 dB system reserve | Min. 3000 m (with F-G 62,5/125 3,75 dB/km) |
| Type of connection | B-FOC |

Power supply

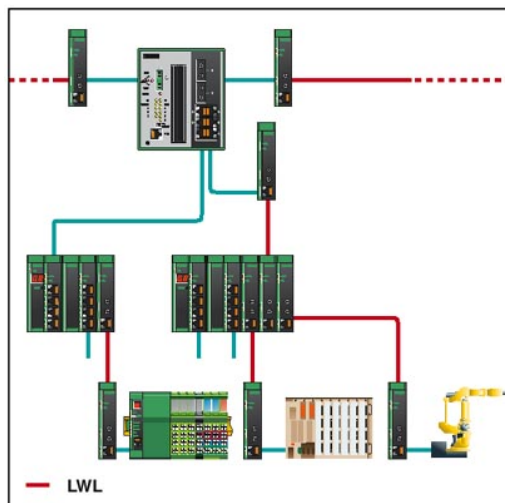
| | |
|--------------------------|---|
| Nominal supply voltage | 24 V DC \pm 20 % |
| Max. current consumption | 55 mA |
| Type of connection | Pluggable COMBICON screw terminal block |

General data

| | |
|--|---|
| Length | 99 mm |
| Height | 127 mm |
| Width | 22.5 mm |
| Ambient temperature (operation) | 0 °C ... 55 °C |
| Electrical isolation | 10 BASE-T // supply |
| Test voltage data interface/power supply | 500 V |
| Electromagnetic compatibility | Conformance with EMC directive 89/336/EEC |
| Emitted interference | EN 50081-2 |
| Immunity to interference | EN 61000-6-2 |
| Degree of protection | IP20 |
| Weight | 120 g |
| Housing material | PA V0, color green |
| Color | green |

▸ Drawings

Application drawing



Logo

Ethernet

► Accessories

| Item | Designation | Description |
|------------------------|-------------------|---|
| Cable/conductor | | |
| 2744830 | FL CAT5 FLEX | CAT5-SF/UTP cable (J-LI02YS(ST)C H 2 x 2 x 26 AWG), light-duty, flexible installation cable 2 x 2 x 0.14 mm ² , stranded, shielded, outer sheath: 5.75 mm ± 0.15 mm diameter |
| 2744814 | FL CAT5 HEAVY | CAT5-SF/UTP cable (J-02YS(ST)C HP 2 x 2 x 24 AWG), heavy-duty installation cable, 2 x 2 x 0.22 mm ² , solid conductor, shielded, outer sheath: 7.8 mm diameter, inner sheath: 5.75 mm ± 0.15 mm diameter |
| Plug/Adapter | | |
| 2744571 | FL PLUG RJ45 GN/2 | RJ45 connector, shielded, with bend protection sleeve, 2 pieces, green for crossed cables, for assembly on site. For connections that are crossed, it is recommended that the connector set with green bend protection sleeves is used. |
| 2744856 | FL PLUG RJ45 GR/2 | RJ45 connector, shielded, with bend protection sleeve, 2 pieces, gray for straight cables, for assembly on site. For connections that are not crossed, it is recommended that you use the connector set with gray bend protection sleeve. |
| Tools | | |
| 2744869 | FL CRIMPTOOL | Crimping pliers, for assembling the RJ45 connectors FL PLUG RJ45..., for assembly on site |

► Address

PHOENIX CONTACT GmbH & Co. KG
Flachsmarktstr. 8
32825 Blomberg
Germany
Phone +49 5235 3 00
Fax +49 5235 3 41200
<http://www.phoenixcontact.de>
Phoenix Contact
Technical modifications reserved;